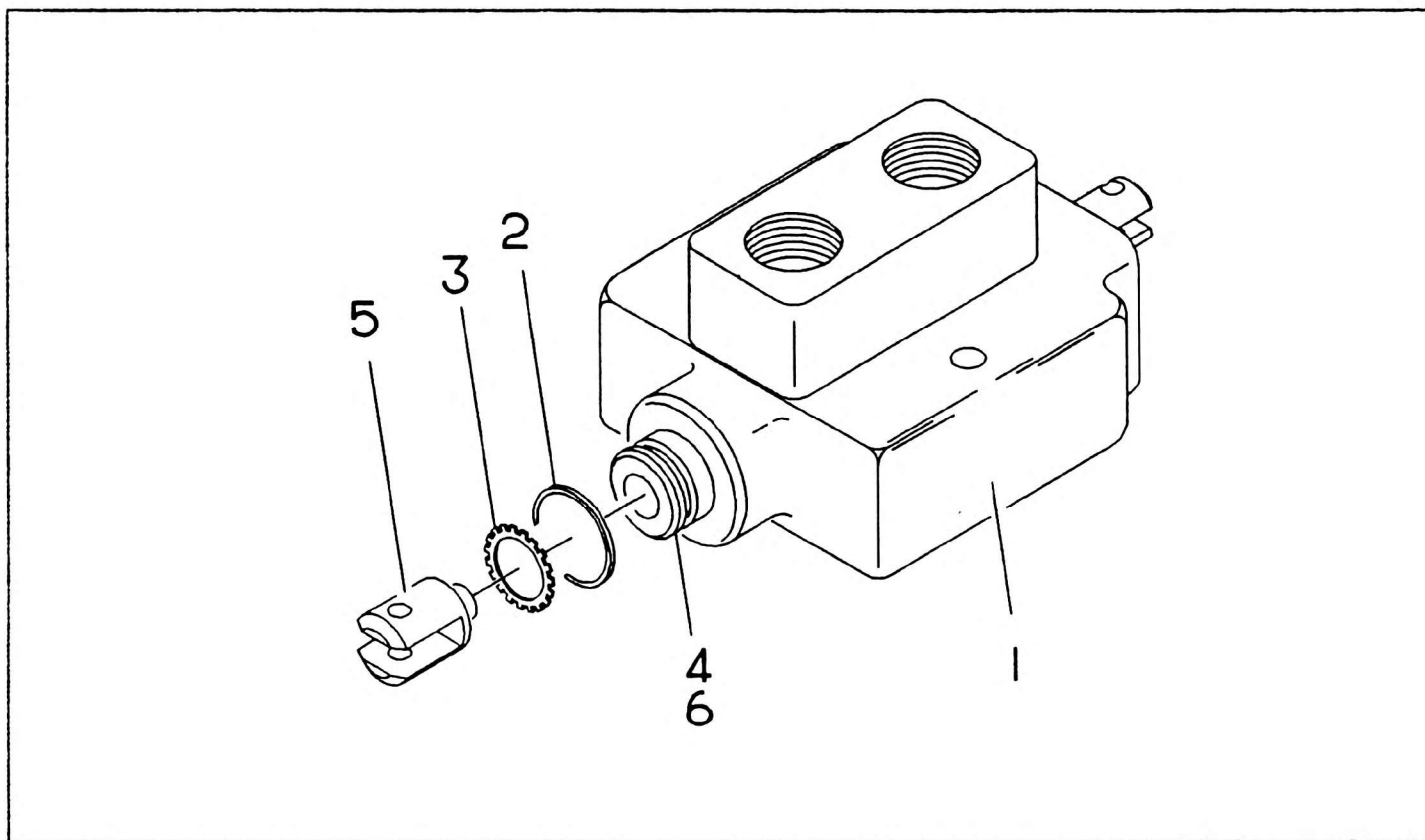


VALVE ASSEMBLY - DOUBLE SELECTOR

GROVE



| NO. | PART NO.     | QTY | DESCRIPTION    | NO. | PART NO. | QTY | DESCRIPTION |
|-----|--------------|-----|----------------|-----|----------|-----|-------------|
|     | 7-926-001995 |     | COMPLETE ASSY  |     |          |     |             |
| 1   | NOT SERVICED | 1   | HOUSING        |     |          |     |             |
| 2   | 9-926-106310 | 2   | RING. RETAINER |     |          |     |             |
| 3   | 9-926-106311 | 2   | WASHER         |     |          |     |             |
| 4   | NOT SERVICED | 1   | SPOOL          |     |          |     |             |
| 5   | 9-926-106312 | 2   | END. SPOOL     |     |          |     |             |
| 6   | 9-926-106313 | 2   | O-RING         |     |          |     |             |